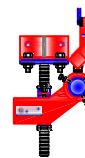


EXTERNAL BELT SCRAPER

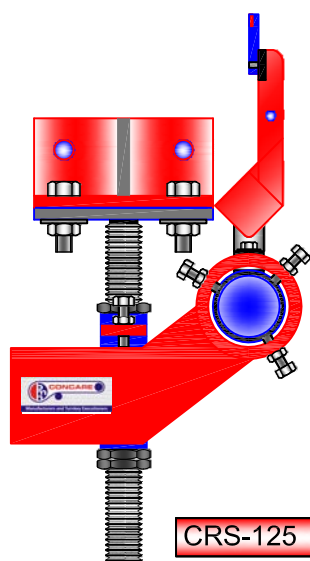
MAIN SCRAPER MODEL : CRS-125

CARESS BELT CONVEYORS
Clean with **CONCARE** Belt Scrapers.



Specifications.

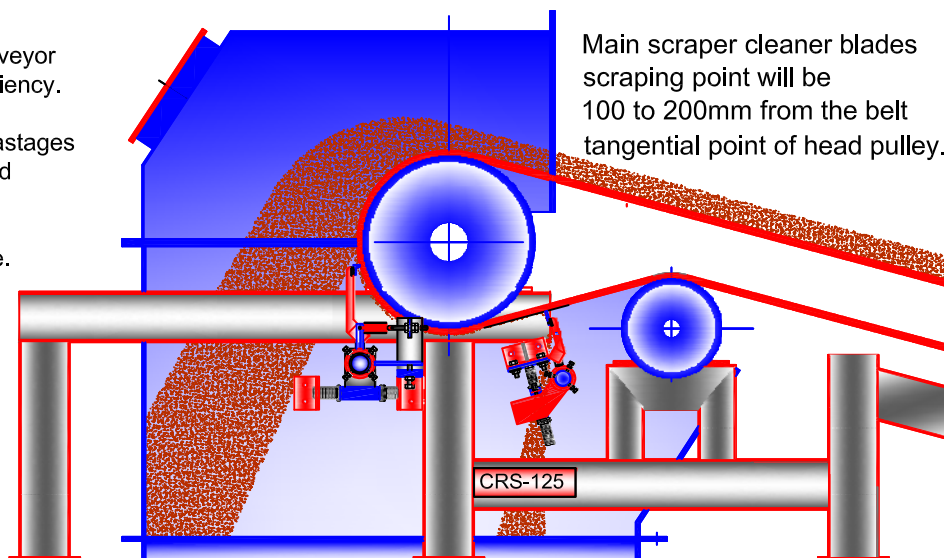
Flat Edge design cleaner tips, Multi bladed segmented type, Double pivoted positive element sprung back mechanism for individual cleaner blades, Polymer / Stainless steel deflector plates at both sides, Self adjusting pre loaded positive element sprung back Torsion Arm at both ends for inbuilt pressure and constant contact & Automatic Adjustments against Wear along with Wear Indicator. All Hardwares are Stainless Steel. Possibility of cleaner tips Interchangeability.



Increased conveyor operation efficiency.

Nil material wastages
Results in good environment.

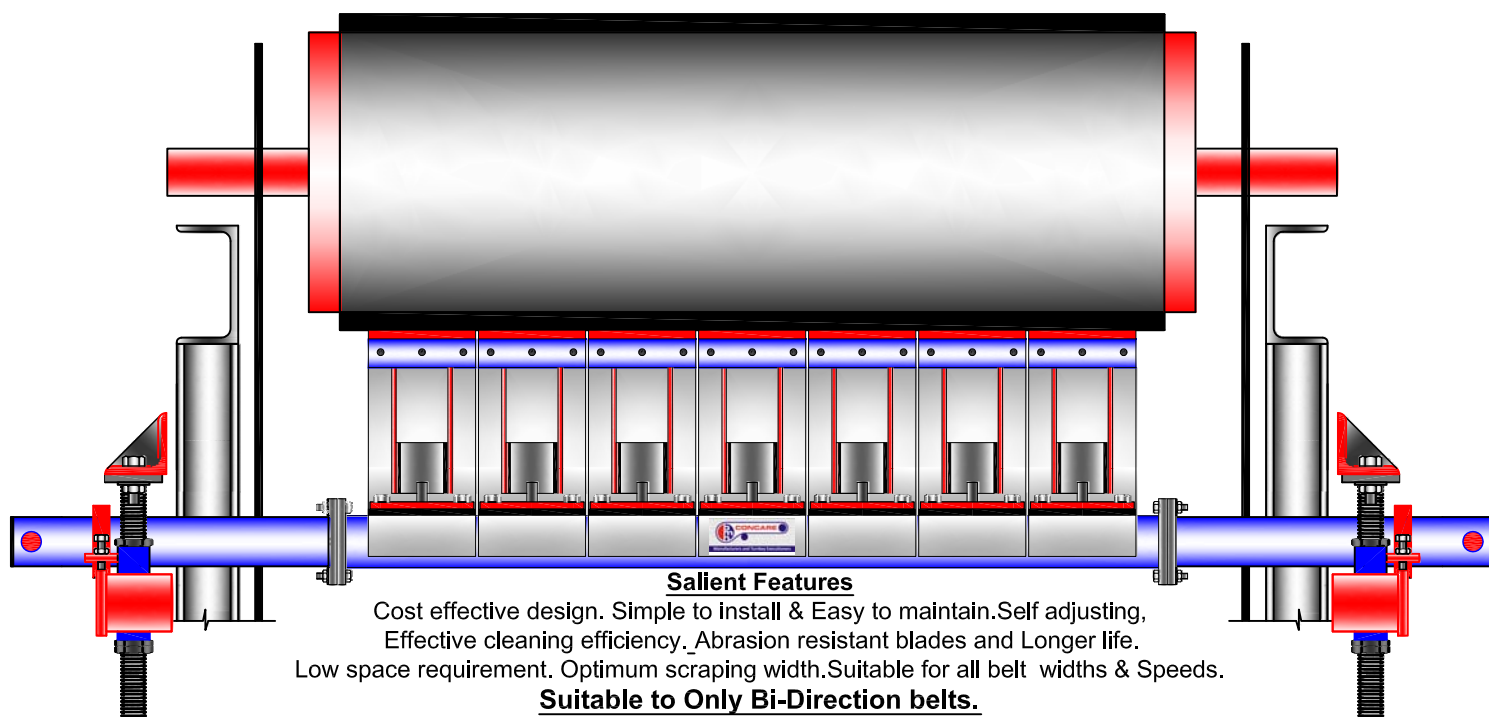
Longer belt life.



Main scraper cleaner blades scraping point will be 100 to 200mm from the belt tangential point of head pulley.

Cleaner blades like High Grade Tool Steel, Tungston Carbide Tip blades, Stainless Steel blades depends on material characteristics. Suitable for High temperature Applications. maintaining effective constant pressure for better cleaning. Recommended for moisturized and sticky materials. Suitable for high capacity, high speed belts with larger head pulleys. Cuts sticky material to material adhesion.

Belt width	Assembly Length	Cleaning width	Belt width	Assembly Length	Cleaning width	Belt width	Assembly Length	Cleaning width
500mm	1500mm	500mm	1000mm	2100mm	875mm	1800mm	3100mm	1625mm
600mm	1600mm	500mm	1200mm	2400mm	1125mm	2000mm	3300mm	1875mm
650mm	1700mm	625mm	1400mm	2600mm	1250mm	2200mm	3500mm	2000mm
800mm	1900mm	750mm	1600mm	2900mm	1500mm	2400mm	3700mm	2250mm



Salient Features

Cost effective design. Simple to install & Easy to maintain. Self adjusting, Effective cleaning efficiency. Abrasion resistant blades and Longer life. Low space requirement. Optimum scraping width. Suitable for all belt widths & Speeds.

Suitable to Only Bi-Direction belts.

Head Office & Works

Caress Belt Conveyors by **BMH CONCARE TECHNOLOGY INC.**

Plot no. 56, Sector-1, Service Industrial Area, Nerul (East), Navi Mumbai - 400 706 India.

Phone :- 022 27702626 / 3258 4616 / 09324297633 / 09324383067

Fax :- 022 27702625. E-Mail :- bmhsales@bmhconcare.com / bmhprojects@bmhconcare.com

**A REVOLUTION IN
ENVIRONMENTAL ENGINEERING**

BMH / CRS-125/007